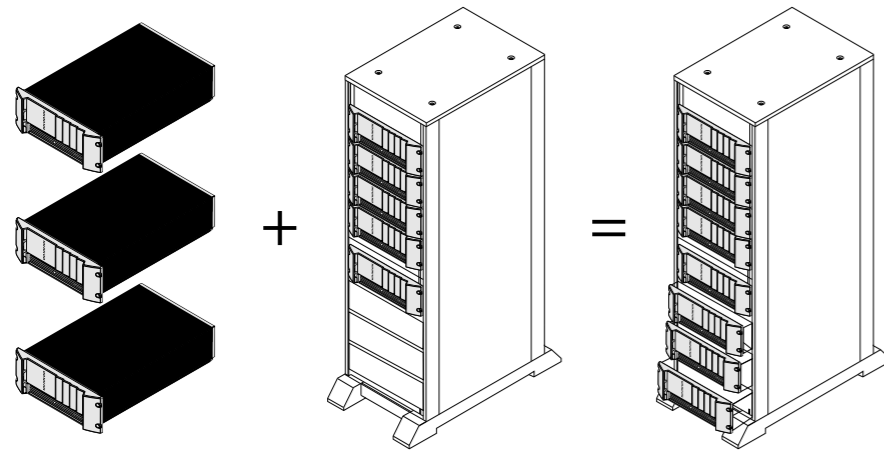




Flexibility in sizing



UPS Autonomy Run Time vs System Configuration (Based on 60% load)

KVA	No. of PM	Total Battery Module Needed for Extended Backup Time								
		Number of Battery Module Required								
		30 min	1 hr	2 hrs	3 hrs	4 hrs	5 hrs	6 hrs	7 hrs	8 hrs
12	4	3	5	8	12	15	20	22	23	27
15	5	4	6	10	14	19	25	27	29	33
18	6	4	7	12	17	23	30	32	35	40
21	7	5	9	14	20	26	36	38	40	46
24	8	6	10	16	23	30	41	43	46	53
27	9	6	11	18	26	34	46	49	52	60
30	10	7	12	21	29	38	51	54	58	66
33	11	8	14	23	32	41	56	59	63	73
36	12	9	15	25	35	45	61	65	69	80
39	13	9	16	27	37	49	66	70	75	86
42	14	10	17	29	40	53	71	75	81	93
45	15	11	18	31	43	56	76	81	86	100
48	16	12	20	33	46	60	81	86	92	106
51	17	12	21	35	49	64	86	92	98	113
54	18	13	22	37	52	68	91	97	104	119
57	19	14	23	39	55	71	96	102	109	126
60	20	14	25	41	58	75	101	108	115	133

Above figures are for reference only. Actual run time duration and number of battery modules may vary depending on battery rating, temperature, conditions and type of load connected.

PM = Power Module

Please contact us for assistance on extended back-up time above 60kVA.

Battery Type	Sealed Lead Acid, Maintenance Free
Battery Rating	12V 7AH or equivalent
No. of Batteries	20
Dimension (WxHxD) mm	482 x 175 x 711
Weight (Kg) with battery	69
Weight (Kg) without battery	15

Topology	True On-line Double Conversion
System Architecture	Modular/Scalable/Parallel Redundant/ Hot-Swappable
System Operation	Automatic DC start-up capability
System Diagnostics	Automatic self-test
USER INTERFACE	
Type of Interface	LCD Display (Input & Output Voltage/Load/ Frequency/ Temperature/Fault/U)

Power Module Specifications

INPUT SPECIFICATIONS	
Nominal Input Voltage	380V / 400V
Input Voltage Range	312V to 477V
Input Frequency	50Hz ± 10%
Input Power Factor	> 0.92
OUTPUT SPECIFICATIONS	
Output Power Rating	3KVA
Nominal Output Voltage	220V / 230V or 380V / 400 V
Output Voltage Regulation	±3%
Output Power Factor	0.7
Output Voltage Distortion	<3% THD
Output Frequency	
a) On Normal AC Mode	Synchronized, 50Hz ± 3%
b) On Battery	50 Hz ± 0.2%
Output Waveform	Pure Sinewave
Output Current Variation	0 to 100% permissible
Output Overload Capability	150% to 10 seconds
Load Crest Factor	3:1
Transfer Time	0 milliseconds
SYSTEM EFFICIENCY	
AC Mode	> 85%
DC Mode	> 85%
BATTERY SPECIFICATIONS	
Battery Type	Sealed Lead Acid, Maintenance Free
Battery Rating	12V 7AH or equivalent
No. of Batteries	10
Backup Time	15 minutes**
Battery Diagnostics Test	Automatic self-test
ENVIRONMENTAL SPECIFICATIONS	
Audible Noise	<55 dBA
Ambient Temperature	0°C to 40°C
Relative Humidity	< 95% without condensation
Altitude	< 3000m without de-rating
INDICATIONS	
Type of Indicators	12 LEDs (Power ON/Backup/Fault/ N+1/Load & Battery Levels) & Audible Alarm
PHYSICAL SPECIFICATIONS	
Dimension (WxHxD) mm	482 x 175 x 711
Weight (Kg) with battery	54
Weight (Kg) without battery	27
APPROVALS AND COMPLIANCE	
Approvals	CE
Surge Protection	EN 50082-1 Meets IEC 801-4
EMI Suppression	EN50091-2 Class A